

BOYA

QUICK SETUP GUIDE

Shotgun Microphone

枪式麦克风

BY-VM600

PACKAGE CONTENTS

- Microphone
- Foam windscreen
- Carry pouch
- Fur windscreen
- Quick Setup Guide

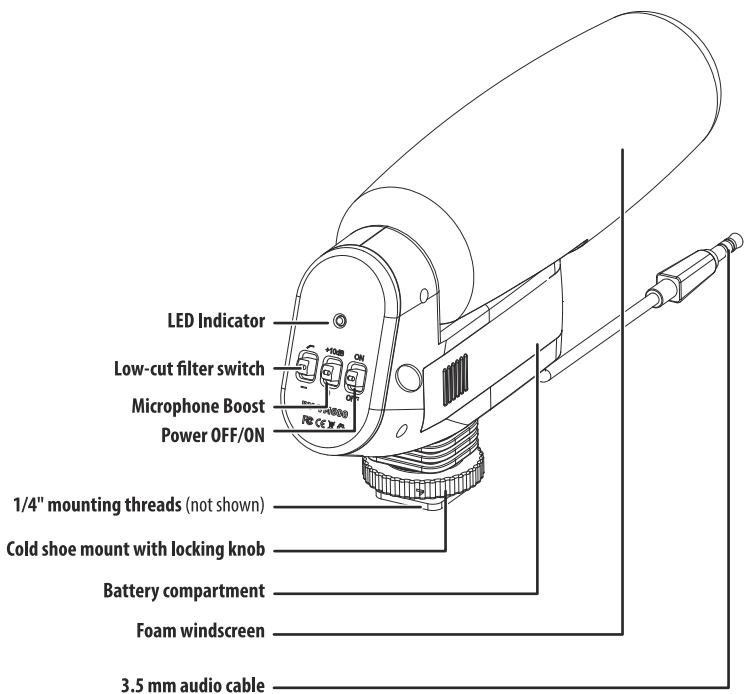
TIP: Use this microphone with your camera before recording an important event. Make sure that you are familiar with its operation with your specific camera and verify the audio recording results are as expected.

Before using your new product, please read these instructions to prevent any damage.



FEATURES

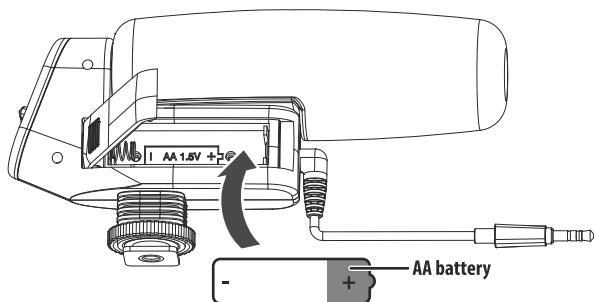
- The directional shotgun-style microphone captures the audio in your frame while rejecting unwanted background noise
- Premium microphone capsule for clear, precise audio
- Works with cameras with standard 3.5mm (1/8") microphone input
- The powered design maximizes compatibility and sound quality
- Built-in shock mount minimizes unwanted vibrations to the microphone
- Foam/ Fur windscreens lowers wind noise and protects from small bumps



Note: Cable in illustrations is shown shorter for clarity. The actual cable is longer than the one pictured.

INSTALLING THE BATTERY

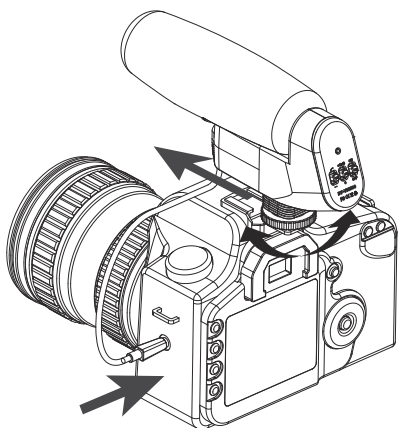
- 1 Slide the battery compartment lid right and lift it up.
- 2 Insert the AA battery. Make sure that the + and - signs match the symbols in the compartment.
- 3 Replace the battery compartment lid.



SETTING UP YOUR MICROPHONE

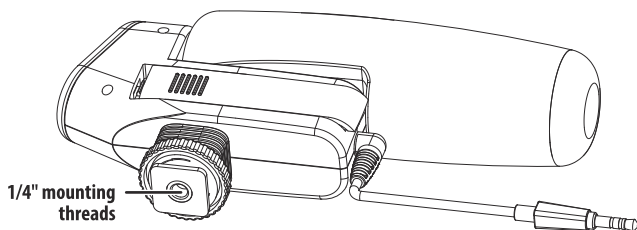
To attach your microphone to a camera:

- 1 Loosen the locking knob, then slide your microphone's cold shoe mount onto your camera.
- 2 Tighten the locking knob to secure your microphone.
- 3 Connect the 3.5 mm audio cable to your camera.



To attach your microphone to a tripod:

- 1 Tighten the microphone to the 1/4" screw on a tripod or tripod plate. See the instructions that came with your tripod for more information.
- 2 Connect the 3.5 mm audio cable to your camera.



USING YOUR MICROPHONE

- 1 Turn on your camera.
- 2 Install the battery in your microphone.

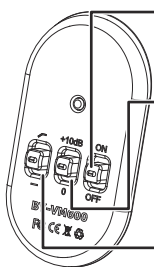
Slide the power switch to **ON**, the LED indicator lights up.

To use the microphone boost, slide the switch up for a 10dB gain and down for no gain.
Note: Use the microphone boost switch to raise the output of the microphone by 10dB without having to get closer to the subject.

To use the low-cut filter switch, slide up (↖) to turn the filter on and down (↘) to turn it off.

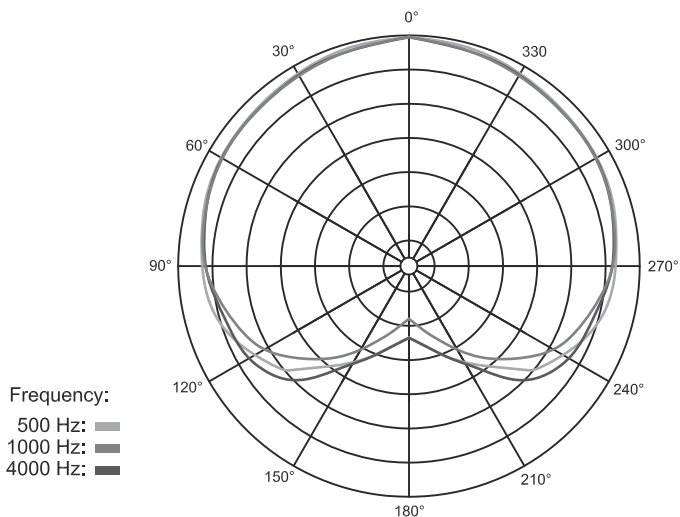
Note: The low-cut filter minimizes the impact of low frequency hum, camera motor noise, and similar low frequency ambient noise.

- 3 Aim the microphone at the sound source and away from unwanted sound sources (only if used on a tripod).
Tip: If using a tripod, the microphone could be held below or above as well as straight in-front of the sound source.
- 4 Slide the power switch to **OFF** when you are finished recording.



SPECIFICATIONS

- **Transducer:** Condenser
- **Acoustic Principle:** Line plug gradient
- **Frequency Response:** 35-20,000Hz
- **Sensitivity:** -35dB +/- 1dB / 0dB=1V/Pa, 1kHz
- **Signal to Noise Ratio:** 78dB
- **Power Supply:** 1.5V battery
- **PAD Switch:** 0dB,+10dB
- **Plug:** 3.5mm jack plug
- **Filter:** Controlled by low-cut filter switch
- **Dimensions (L x H x W):** 6.7 x 3.5 x 1.8 in. (171 x 88 x 45 mm)
- **Net Weight:** 3.35 oz. (95 g)
- **Operating temperature:** 14°F to 131°F (-10°C to +55°C)
- **Storage temperature:** -4°F to 167°F (-20°C to +75°C)
- **Polar pattern:** Cardioid:



TROUBLESHOOTING

- **Microphone stops working:** Verify LED is lit when power switch is in the **ON** position. Replace battery if not.
- **Sound is too quiet:** Enable the microphone boost (+10dB switch), move closer to the subject, consult camera owner's manual for audio recording settings.
- **Sound is distorted:** Make sure the microphone boost is switched off, move away from the subject, consult camera owner's manual for audio recording settings.

MAINTAINING YOUR MICROPHONE

- Keep your microphone away from dust, moisture, or water.
- To clean the housing, wipe with a dry micro-fiber cloth to remove dust.
- Store your microphone in the included pouch to protect it from dirt and dust.

IMPORTANT SAFETY INFORMATION

- Make sure that you follow all safety notes.
- Keep these instructions for use in a safe place. If you sell the equipment or pass it on to someone else, you should also pass on these instructions for use.

Marking on the devices



Waste disposal and protection of the environment

Electric and electronic appliances, as well as batteries, must not be disposed of together with domestic waste. The user is legally obliged to return electric and electronic appliances as well as batteries to specially set up public collecting points or the sales outlet once they have reached the end of their service life. Details are regulated by national law. The symbol on the product, the instructions for use, or the packaging refers to these provisions. The recycling of waste equipment/batteries is an important contribution to the protection of our environment.



Danger of fire and short-circuit

- Do not operate the device with wet hands.
- Clean the equipment only in the way described in *Maintaining Your Microphone*
- Take care to avoid dropping the equipment. Make sure that the device is properly fastened and reliably mounted. If the device has been dropped, have it inspected by a skilled technician before you switch it on again.
- Should the equipment be damaged or defective, or if you notice a scorching smell, remove the batteries immediately. Do not operate the device with a damaged housing and do not repair the device yourself. Have the device only repaired by a skilled service person.
- Always keep your device in good condition, as specified in these instructions for use.
- Do not tamper with or alter the internal components of the microphone.

Danger of suffocation caused by small parts

- Keep the device out of the reach of children and pets.

Precautionary measure when using the batteries.

- Batteries/power packs, if inappropriately handled, can run out or explode.
- Please observe the following notes on safety when handling batteries to be used in this device:
 - Use only batteries mentioned in these operating instructions.
 - Do not discard of the batteries in a fire and do not expose them to direct heat.
 - In order to avoid damage to the product, you must make sure that you remove the batteries, if you do not use the product over a long period of time, or if the batteries have been discharged.
 - If battery fluid comes into contact with skin or clothes, rinse it off immediately with fresh water.

LEGAL NOTICES

FCC Statement

This device complies with part 15 of the FCC Rules. Operation is subject to the following two conditions: (1) This device may not cause harmful interference, and (2) this device must accept any interference received, including interference that may cause undesired operation.

FCC Caution

Changes or modifications not expressly approved by the party responsible for compliance could void the user's authority to operate the equipment.

FCC Statement

This equipment has been tested and found to comply with the limits for a Class B digital device, pursuant to part 15 of the FCC Rules. These limits are designed to provide reasonable protection against harmful interference in a residential installation. This equipment generates, uses and can radiate radio frequency energy and, if not installed and used in accordance with the instructions, may cause harmful interference to radio communications. However, there is no guarantee that interference will not occur in a particular installation. If this equipment does cause harmful interference to radio or television reception, which can be determined by turning the equipment off and on, the user is encouraged to try to correct the interference by one or more of the following measures:

- Reorient or relocate the receiving antenna.
- Increase the separation between the equipment and receiver.
- Connect the equipment into an outlet on a circuit different from that to which the receiver is connected.
- Consult the dealer or an experienced radio/TV technician for help.

www.boya-mic.com

SHENZHEN JIAYZ PHOTO INDUSTRIAL., LTD.

The BOYA logo is a trademark which is registered and owned by Shenzhen Jiayz Photo Industrial., Ltd.

COPY RIGHT 2010-2020

Email: sales@boya-mic.com

www.boya-mic.com / www.jiayz.com

包装内容

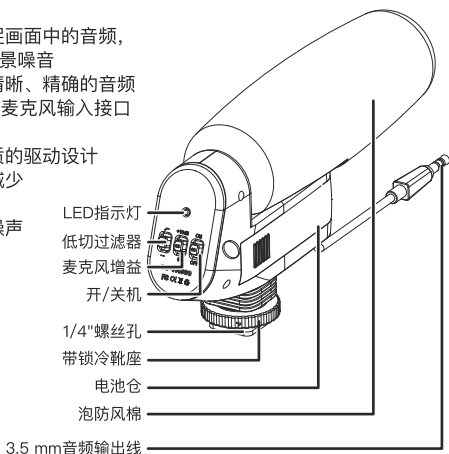
- 麦克风
- 防风棉
- 收纳袋
- 防风毛
- 快速安装指南

在记录重要事件之前，请确保你已熟悉麦克风在相机上的操作，核实录音效果已到达您要的录音效果。

在使用产品之前，请详细阅读说明书，避免产品损坏

特点

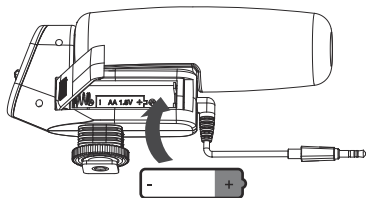
- 定向霰弹枪式麦克风可捕捉画面中的音频，同时去除/消除不必要的背景噪音
- 优质麦克风咪头，可传输清晰、精确的音频
- 可与带有标准3.5mm(1/8")麦克风输入接口的摄影机配合使用
- 最大限度提高兼容性和音质的驱动设计
- 内置防震架，可最大程度减少麦克风不必要的震动
- 防风棉和防风毛可降低风噪声并阻止轻微震动



注：实际音频输出线长度，以实物为准。

安装电池

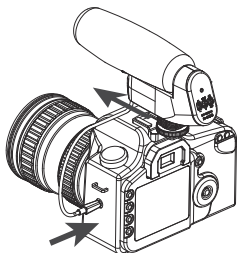
1. 将电池盖向右滑动并向外拉出。
2. 插入AA电池。确保电池正负极与电池仓标记的相符。
3. 关闭电池仓。



设置麦克风

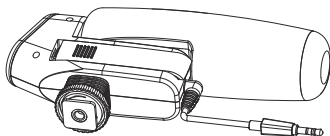
将麦克风连接到相机上:

1. 松开锁定旋钮, 然后将麦克风冷靴座安装到相机上。
2. 拧紧锁定旋钮, 固定麦克风。
3. 将3.5mm音频输出线连接到相机上。



将麦克风固定在三脚架上:

1. 将麦克风固定在三脚架或三脚架板上的1/4"螺丝孔上。
2. 更多信息请参阅自身三脚架附带的说明。
3. 将3.5mm音频输出线连接到相机上。



使用方法

1. 打开相机
2. 将电池安装在麦克风里

将电源键滑动到ON位置, LED指示灯亮起。

麦克风增益功能:

将开关向上拨到10dB处或向下拨到0dB处。

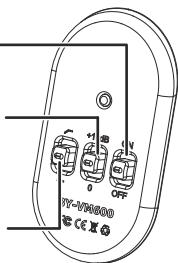
注意: 无需将麦克风靠近物体, 增益功能会将麦克风电平调高10dB。

低切功能:

向上拨至(一)为低切, 向下拨至(一)为平切。

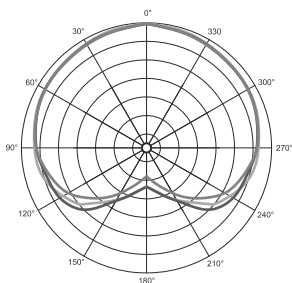
注意: 低切功能最大程度地减少了低频噪音的产生, 如嗡嗡声, 相机震动, 环境音等。

3. 将麦克风对准收录对象, 尽量避免不必要的噪音。
4. 完成录音时, 将电源键滑动到OFF位置。



参数

类型:	电容式
声学原理:	线性梯度
拾音模式:	心形
频率响应:	35- 20,000 Hz
灵敏度:	- 35dB +/- 1dB / 0dB=1V/Pa,1kHz
信噪比:	78dB
电源:	1.5V电池
增益开关:	0dB, +10dB
插头:	3.5mm插头
过滤器:	低切150Hz
尺寸:	(171 x88 x45毫米)
净重:	95克
工作温度:	14°F到131°F(-10°C到+55°C)
储存温度:	-4°F到167°F(-20°C到+75°C)



Frequency:

500 Hz: —

1000 Hz: —

4000 Hz: —

故障排除

麦克风停止工作: 确认电源开关处于ON位置时LED灯亮。如果指示灯没有亮, 请更换电池。

声音太小: 开启麦克风增益功能(+10dB开关), 靠近收音对象, 详情请参考自身相机说明中的录音设置。

声音失真: 拉远麦克风与收音对象的距离, 详情请参考自身相机说明中的录音设置。

麦克风注意事项

- 使麦克风远离灰尘, 潮湿或水。
- 将麦克风存放在附带的小袋中, 以防止灰尘进入。

重要安全信息

- 确保遵循所有安全注意事项
- 将这些说明保存在安全的地方。
如果您出售设备或将其传递给其他人, 您也应该传递这些使用说明。

在设备上标记



废物处理和环境保护



电气和电子设备以及电池不得与生活垃圾一起处理。用户在法律上有义务将电气和电子设备以及电池返回到专门设置的公共收集点或销售点, 一旦它们达到其使用寿命。



受国家法律管辖。产品上的符号, 使用说明或包装是指这些规定。废物设备/电池的回收是对保护环境的重要贡献。

- 请勿用湿手操作设备。
- 仅按照维护麦克风中所述的方式清洁设备
- 注意避免掉落设备。确保设备已正确固定并可靠安装。如果设备已掉落, 请在熟练技术人员再次打开之前对其进行检查。
- 如果设备损坏或有缺陷, 或者您发现有灼热的气味, 请立即取出电池。
请勿在外壳损坏的情况下操作设备, 也不要自行维修设备。只有熟练的维修人员才能修理设备

SHENZHEN JIAYZ PHOTO INDUSTRIAL., LTD.

The BOYA logo is a trademark which is registered and owned by Shenzhen Jiayz Photo Industrial., Ltd.

深圳市长丰影像器材有限公司

地址:广东省深圳市龙华区观澜街道大富社区硅谷动力智能终端产业园A16栋

TEL: 400 6131096

Email: sales@boya-mic.com

www.boya-mic.com / www.jiayz.com