

BOYA CastMic P60

Quick Start Guide

快速操作指南

Guía de inicio rápido

Schnellstartanleitung

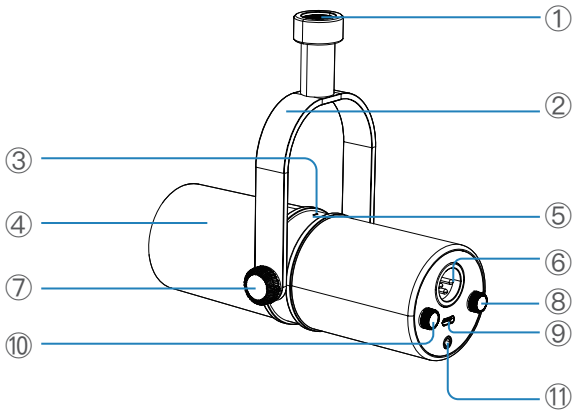
Guide de démarrage rapide

Guida rapida all'avvio

クイックスタートガイド

Руководство по быстрому началу

Product Overview/产品概览



- ① Threaded Interface/螺纹接口
- ② Yoke Mount/U型支架
- ③ Indicator/指示灯

Indicator/指示灯	Status/状态
○	Successfully connected to a computer, tablet, or smartphone/成功连接到电脑、平板或手机
●	Mute on/静音开启
●	Noise cancellation enabled /降噪开启
○ ●	Firmware updating/固件升级中

Note: When the microphone is connected via XLR, the indicator light will not activate.

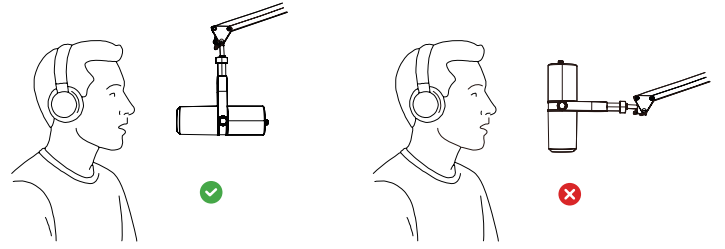
注：当通过XLR接口连接麦克风使用时，指示灯不会亮。

- ④ Flocked Pop Filter Foam/防喷植绒海绵
- ⑤ Touch Button/触控按键
- ⑥ XLR Interface/XLR接口
- ⑦ Adjustment Knob/紧固旋钮
- ⑧ Gain Control Knob/增益控制旋钮
- ⑨ USB-C Port/USB-C接口
- ⑩ 3.5 mm Headphone Jack/3.5mm耳机接口
- ⑪ Headphone volume Control Knob/耳机音量控制旋钮

Pickup Pattern and Placement/拾音模式和放置

The BOYA CastMic P60 is a cardioid directional microphone. It picks up sound directly in front of the microphone while blocking sound from the sides and rear. To achieve optimal sound quality, ensure the microphone head is facing you and keep a distance of about one to two fists (approximately 5–10 cm) from your mouth.

BOYA CastMic P60是一款心型指向性麦克风，它会拾取麦克风正前方的声音，同时阻隔来自其周围和后方的声音。请确保话筒头朝向您，与嘴巴保持约一到两个拳头的距离（约5~10cm），以获得最佳音质。

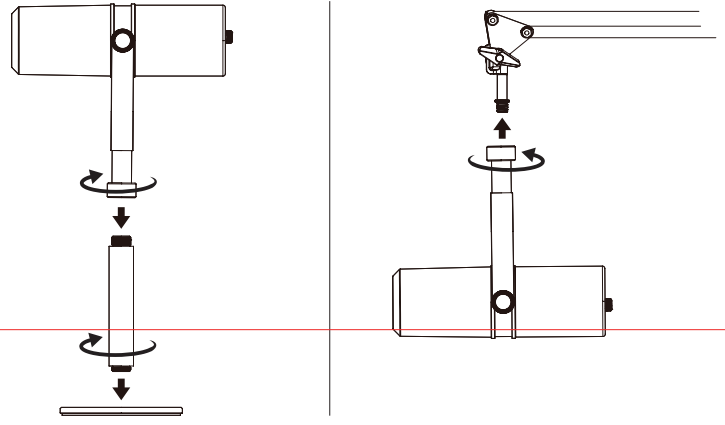


Getting Started/开始使用

Desktop Stand or Boom Arm Installation/安装支架或悬臂

Depending on the product package, mount the microphone to the desktop stand or boom arm as shown in the pic.

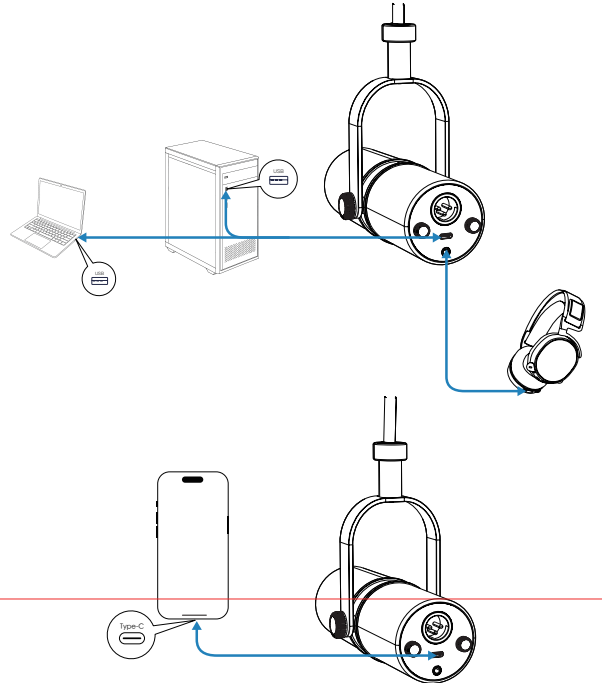
请根据产品套装，按照图中方式将麦克风安装至桌面支架或悬臂上。



USB-C Connection/USB-C连接

Use a USB-C to USB-A/C cable to connect the CastMic P60 to your smartphone, tablet, or computer.

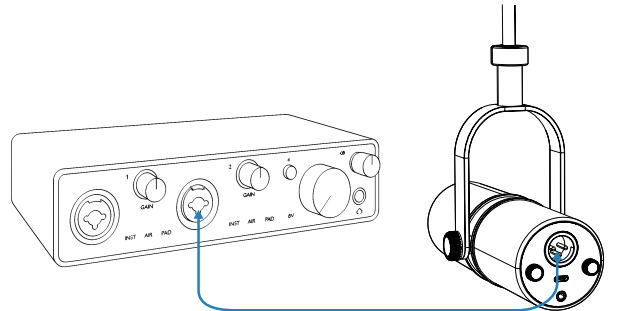
使用USB-C转USB-A/C连接线，将CastMic P60连接到您的手机、平板或电脑。



XLR Connection/XLR连接

Connect the CastMic P60 to your analog devices (such as audio interfaces, mixers, or other audio devices) using an XLR audio cable.

使用XLR音频线，将CastMic P60连接到您的模拟设备（如音频接口、调音台或其他音频设备）。



Note: When the microphone is connected via the XLR, the knobs on the microphone cannot control the volume of the microphone or headphones, mute function is unavailable, and the indicator light will not activate. These functions are only active when the microphone is connected via the USB-C port.

注意：当通过XLR接口连接麦克风时，无法通过麦克风上的旋钮控制麦克风和耳机的音量、无法静音、指示灯不会亮。以上功能仅支持通过USB-C接口连接麦克风时生效。

Monitoring Audio/监听音频

After connecting the CastMic P60 via USB, to monitor recorded content, simply connect your headphones to the 3.5 mm jack on the back of the microphone and adjust the volume to your preference. You may also send audio from any computer or mobile device to this headphone by selecting "BOYA CastMic P60" as the audio output device in your computer's device settings.

通过 USB 连接CastMic P60后, 要监听录音内容, 只需将耳机连接到麦克风背面的 3.5mm接口, 并根据个人喜好调节音量即可。您还可以通过在计算机的设备设置中选择“BOYA CastMic P60”作为音频输出设备, 将任何计算机或移动设备音频发送到此耳机输出。



BOYA Central Operation Guide/BOYA Central操作指南

- 1.Download and install the BOYA Central software. Download link: boyamic.com/support/download
- 2.Connect the microphone to your computer using a USB-C cable.
- 3.Open the BOYA Central software for quick setup.

Note: To improve user experience, the BOYA Central software will undergo continuous upgrades and optimisations to its interface. Please refer to the latest version for the actual interface.

- 1.下载BOYA Central软件, 并进行安装。下载地址: boyamic.com/support/download。
- 2.使用USB-C线缆将麦克风接入计算机。
- 3.打开BOYA Central软件即可进行快速设置。

注意: 为更好的提升用户体验, BOYA Central软件会持续升级并优化操作界面, 请以最新版的实际操作界面为准。

In the Box/包装清单

BOYA CastMic P60 P60 Microphone x1 Flocked Pop Filter Foam (2 styles) x2 USB-C to USB-C / USB-A Data Cable (2 m) x1 Protective Cap for XLR Port x1	BOYA CastMic P60 P60麦克风 x 1 防喷植绒海绵2款 USB-C转USB-C / USB-A数据连接线 (2m) x 1 XLR保护盖 x 1
--	---

BOYA CastMic P60D P60 Microphone x1 Flocked Pop Filter Foam x2 Styles Desktop Stand x1 USB-C to USB-C / USB-A Data Cable (2m) x1 Protective Cap for XLR Port x1	BOYA CastMic P60D P60麦克风 x 1 防喷植绒海绵2款 桌面支架 x 1 USB-C转USB-C / USB-A数据连接线 (2m) x 1 XLR保护盖 x 1
---	--

BOYA CastMic P60B P60 Microphone x1 Flocked Pop Filter Foam (2 styles) x2 Boom Arm x1 USB-C to USB-C / USB-A Data Cable (2 m) x1 Protective Cap for XLR Port x1	BOYA CastMic P60B P60麦克风 x 1 防喷植绒海绵2款 悬臂支架 x 1 USB-C转USB-C / USB-A数据连接线 (2m) x 1 XLR保护盖 x 1
--	--

English

BOYA CastMic P60 is an extremely versatile dynamic microphone with a built-in sound card. It supports USB-C and XLR outputs, allowing connection to smartphones, tablets, computers, and professional audio interfaces for audio recording. Additionally, it can easily manage audio channels and device settings via the BOYA Central APP. BOYA Central download link: boyamic.com/support/download

简体中文

BOYA CastMic P60是一款功能极其全面的动圈麦克风, 内置声卡, 支持USB-C和XLR接口, 可连接手机、平板、电脑以及专业音频接口来录制音频, 并能使用BOYA Central应用程序轻松管理音频通道和设备设置。BOYA Central软件下载地址: boyamic.com/support/download

Español

BOYA CastMic P60 es un micrófono dinámico extremadamente versátil con una tarjeta de sonido integrada. Admite salidas USB-C y XLR, lo que permite conectarse a teléfonos inteligentes, tabletas, ordenadores y interfaces de audio profesionales para grabación de audio. Asimismo, permite gestionar fácilmente los canales de audio y la configuración del dispositivo mediante la aplicación BOYA Central. Enlace de descarga de BOYA Central: boyamic.com/support/download

Deutsch

Das BOYA CastMic P60 ist ein äußerst vielseitiges dynamisches Mikrofon mit integrierter Soundkarte. Es unterstützt USB-C- und XLR-Ausgänge, wodurch eine Verbindung zu Smartphones, Tablets, Computern und professionellen Audio-Interfaces für die Audioaufnahme möglich ist. Außerdem ermöglicht es eine einfache Verwaltung von Audiokanälen und Geräteeinstellungen über die BOYA Central APP. Download-Link für BOYA Central: boyamic.com/support/download

Français

BOYA CastMic P60 est un microphone dynamique extrêmement polyvalent avec une carte de son intégrée. Il supporte les sorties USB-C et XLR, qui permettent la connection aux smartphones, aux tablettes, aux ordinateurs et aux interfaces audio professionnelles pour l'enregistrement audio. De plus, il peut facilement gérer les voies audio et les réglages d'appareil via BOYA Central APP. Lien de téléchargement de BOYA Central: boyamic.com/support/download

Italiano

BOYA CastMic P60 è un microfono dinamico estremamente versatile con scheda audio integrata. Supporta uscite USB-C e XLR, consentendo la connessione a smartphone, tablet, computer e interfacce audio professionali per la registrazione audio. Inoltre, può gestire facilmente i canali audio e le impostazioni del dispositivo tramite l'app BOYA Central. Link per il download di BOYA Central: boyamic.com/support/download

日本語

BOYA CastMic P60は非常に多用途なダイナミックマイクで、内蔵サウンドカードを搭載します。USB-CおよびXLR出力に対応しており、スマートフォン、タブレット、コンピュータおよびプロ用オーディオインターフェースに接続して録音が可能です。また、BOYA Centralアプリを通じてオーディオチャンネルやデバイス設定の簡単な管理も可能です。BOYA Centralダウンロードリンク: boyamic.com/support/download

Русский

BOYA CastMic P60 — это исключительно универсальный динамический микрофон со встроенной звуковой картой. Он поддерживает выходы USB-C и XLR, что позволяет подключать его к смартфонам, планшетам, компьютерам и профессиональным аудиоинтерфейсам для записи звука. Кроме того, с помощью приложения BOYA Central можно легко управлять аудиоканалами и настройками устройства. Ссылка для скачивания BOYA Central: boyamic.com/support/download



Scan the QRCode to Access the Complete User Manual 扫码获取《用户手册》



Scan the QR Code to Access the Tutorial Videos 扫码观看操作教程